

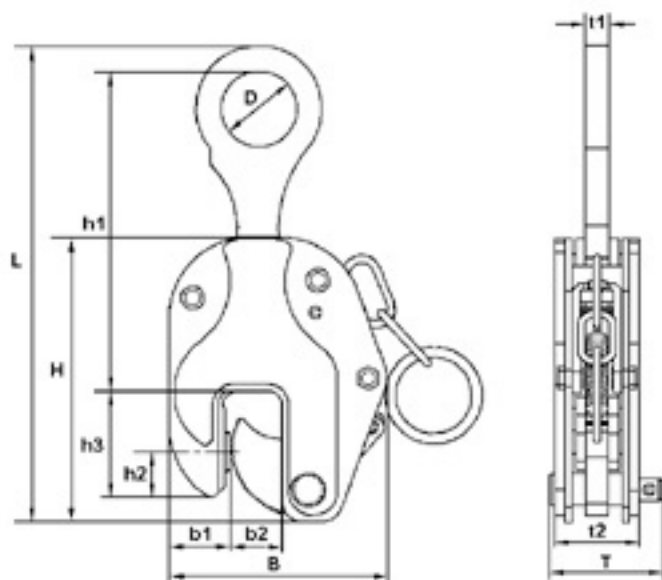
Specifications

VC - Type Vertical Plate Lifting Clamp

Wellculip

Specifications:

Model	VC - 10	VC - 20	VC - 30	VC - 50
Working Load Limit	1 t	2 t	3 t	5 t
Grabbing Range	0 - 20 mm	0 - 30 mm	0 - 35 mm	5 - 45 mm
Net Weight	3.7 kg	6.6 kg	9 kg	16.8 kg



Dimensions (mm)

Model	B	b1	b2	D	L	H	h1	h2	h3	T	t1	t2
VC - 10	125	36	25	50	275	156	190	24	61	66	14	53
VC - 20	155	45	36	60	320	194	212	30	75	78	15	60
VC - 30	175	50	40	60	380	227	257	36	83	88	20	68
VC - 50	225	69	51	65	435	272	275	40	100	95	22	77

Wellculip Machinery Co., Ltd.

* Specifications are subject to engineering changes and improvements without notice.