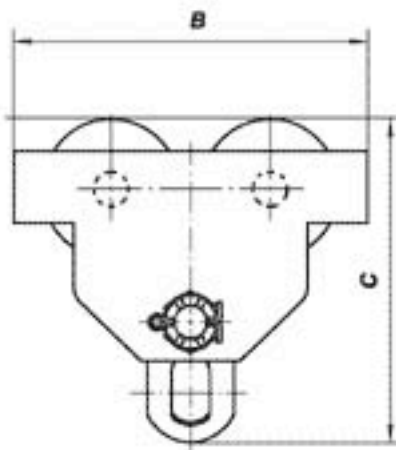
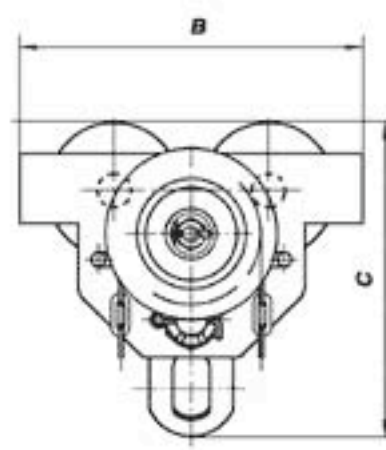
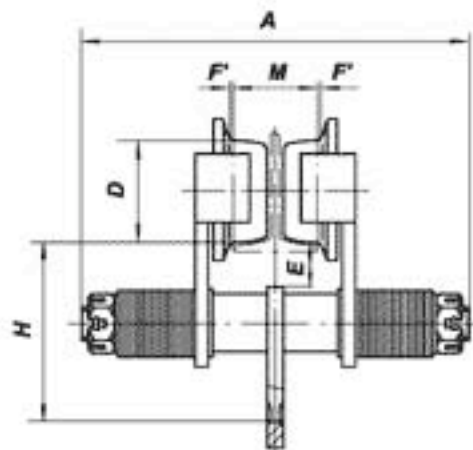


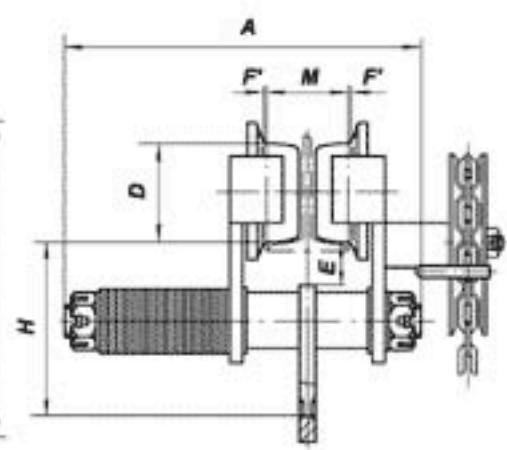
Specifications W - Type Trolley



WPT - Type Push Trolley



WGT - Type Geared Trolley



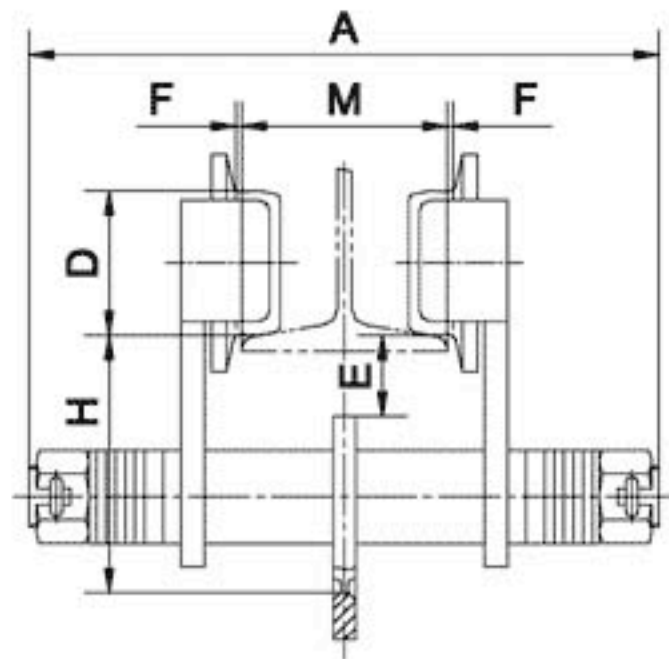
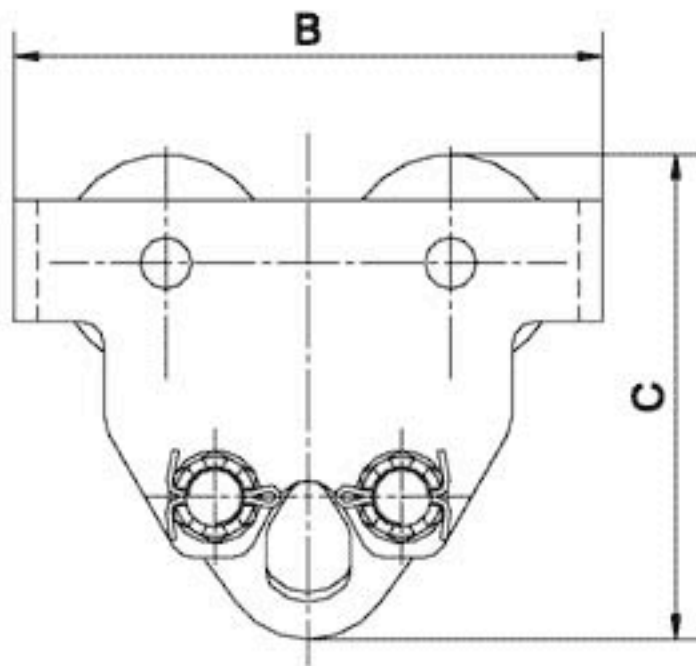
Specifications:

Push Trolley Model	WPT - 05	WPT - 10	WPT - 20	WPT - 30	WPT - 50	WPT - 100	
Geared Trolley Model		WGT - 10	WGT - 20	WGT - 30	WGT - 50	WGT - 100	
Rated Capacity	500 kg	1 t	2 t	3 t	5 t	10 t	
Beam Range	64 - 152 mm	64 - 203 mm	83 - 203 mm	102 - 203 mm	114 - 203 mm	125 - 203 mm	
Beam Range ^A	150 - 240 mm	200 - 300 mm	200 - 300 mm	200 - 300 mm	200 - 300 mm	200 - 300 mm	
Min. Radius of Curve	0.9 m	1 m	1.1 m	1.3 m	1.4 m	1.7 m	
Net Weight (WPT)	7 kg	13 kg	21 kg	35 kg	50 kg	89 kg	
Net Weight (WGT)		18 kg	26 kg	41 kg	55 kg	95 kg	
Dimensions	A	265 mm	328 mm	346 mm	364 mm	384 mm	406 mm
	A ^A	355 mm	430 mm	448 mm	466 mm	486 mm	508 mm
	B	216 mm	260 mm	300 mm	345 mm	390 mm	470 mm
	C	206 mm	238 mm	279 mm	354 mm	404 mm	500 mm
	D	58 mm	75 mm	90 mm	110 mm	120 mm	150 mm
	E	31 mm	30 mm	27 mm	21 mm	21 mm	45 mm
	F	3 mm	3 mm	3 mm	3 mm	3 mm	3 mm
	H	118 mm	132 mm	154 mm	194 mm	221 mm	280 mm
	M	60 - 152 mm	60 - 204 mm	78 - 204 mm	96 - 204 mm	108 - 204 mm	119 - 204 mm
	M ^A	146 - 242 mm	186 - 306 mm	186 - 306 mm	186 - 306 mm	186 - 306 mm	186 - 306 mm

* Over-width sizes

** Specifications are subject to engineering changes and improvements without notice.

Wellculip Machinery Co., Ltd.



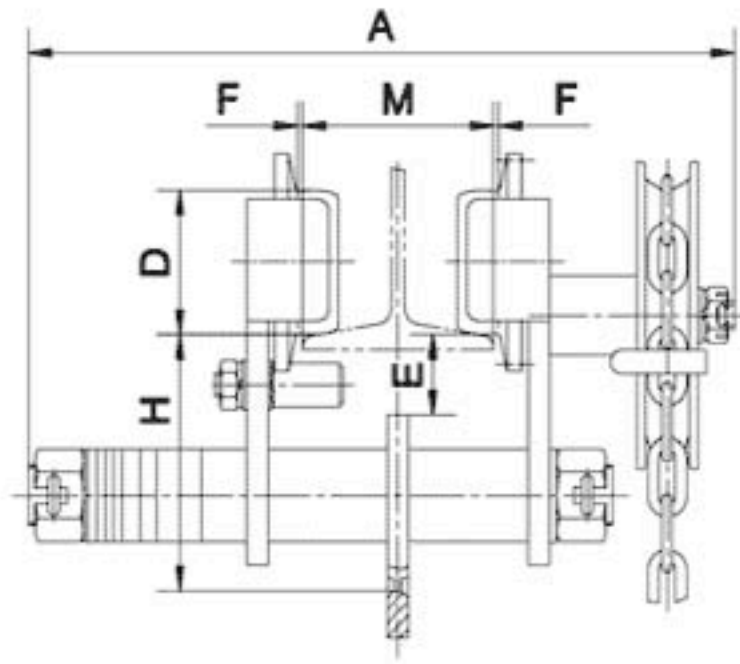
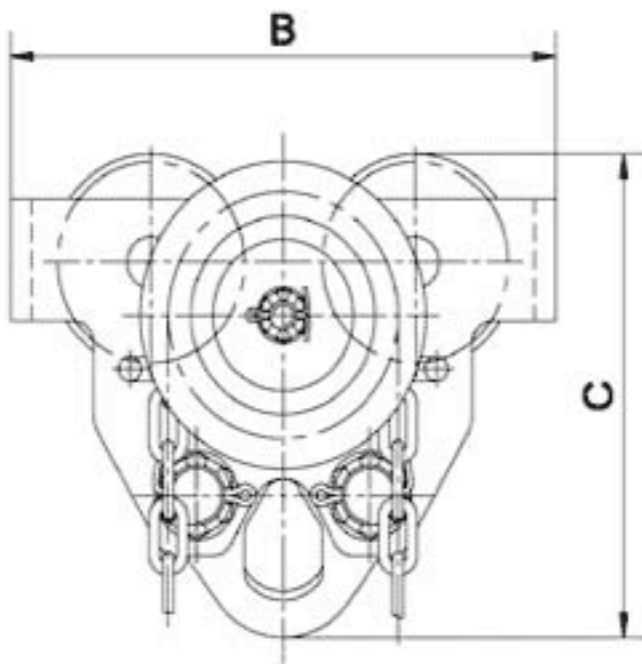
WPT - Type Push Trolley (Cap. 15t - 30t)

Specifications:

Model	WPT - 150	WPT - 200	WPT - 250	WPT - 300	
Rated Capacity	15 t	20 t	25 t	30 t	
Beam Range	140 - 203 mm	144 - 203 mm	160 - 203 mm	190 - 203 mm	
Beam Range*	140 - 300 mm	144 - 300 mm	160 - 300 mm	190 - 300 mm	
Min. Radius of Curve	7 m	8 m	9 m	10 m	
Net Weight	225.5 kg	257.5 kg	330.5 kg	612 kg	
Net Weight*	235.5 kg	269.5 kg	343.5 kg	632 kg	
Dimensions	A	472 mm	480 mm	492 mm	572 mm
	A*	569 mm	577 mm	589 mm	669 mm
	B	676 mm	716 mm	842 mm	918 mm
	C	608 mm	649 mm	706 mm	783 mm
	D	200 mm	225 mm	250 mm	260 mm
	E	65 mm	65 mm	75 mm	85 mm
	F	3.5 - 4.5 mm	3.5 - 4.5 mm	3.5 - 4.5 mm	3.5 - 4.5 mm
	H	305 mm	315 mm	330 mm	395 mm
	M	140 - 203 mm	144 - 203 mm	160 - 203 mm	190 - 203 mm
	M*	140 - 300 mm	144 - 300 mm	160 - 300 mm	190 - 300 mm

* Over-width sizes

** Specifications are subject to engineering changes and improvements without notice.



WGT - Type Geared Trolley (Cap. 15t - 30t)

Specifications:

Model	WGT - 150	WGT - 200	WGT - 250	WGT - 300	
Rated Capacity	15 t	20 t	25 t	30 t	
Beam Range	140 - 203 mm	144 - 203 mm	160 - 203 mm	190 - 203 mm	
Beam Range*	140 - 300 mm	144 - 300 mm	160 - 300 mm	190 - 300 mm	
Running Height	5 m	5 m	5 m	5 m	
Min. Radius of Curve	7 m	8 m	9 m	10 m	
Net Weight	240 kg	272 kg	345 kg	635 kg	
Net Weight*	250 kg	280 kg	358 kg	655 kg	
Dimensions	A	568 mm	576 mm	582 mm	677 mm
	A*	665 mm	673 mm	679 mm	774 mm
	B	676 mm	716 mm	842 mm	918 mm
	C	608 mm	649 mm	706 mm	783 mm
	D	200 mm	225 mm	250 mm	260 mm
	E	65 mm	65 mm	75 mm	85 mm
	F	3.5 - 4.5 mm	3.5 - 4.5 mm	3.5 - 4.5 mm	3.5 - 4.5 mm
	H	305 mm	315 mm	330 mm	395 mm
	M	140 - 203 mm	144 - 203 mm	160 - 203 mm	190 - 203 mm
M*	140 - 300 mm	144 - 300 mm	160 - 300 mm	190 - 300 mm	

* Over-width sizes

** Specifications are subject to engineering changes and improvements without notice.