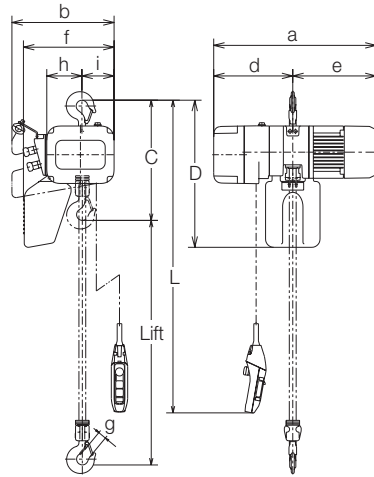


ER2 Single Speed

With Hook Suspension



- Five meters of power supply cable as standard accompanies.
- Optional length of lift, push button cord and power supply cable besides standard is available on your request.
- Extending the load chain is prohibited with additional links.
- Steel chain containers are available as option as shown in Section of "Chain Containers" if your lift is more than capacity of the standard container volume.

Specifications

Capacity (t)	Product Code	Hoist Body	Standard Lift (m)	Push Button Cord L (m)	Lifting Motor		Lifting Speed (m/min)		Load Chain		Classification ISO/FEM/ASME	Test Load (t)	Net Weight (kg)	Additional Weight per 1m Lift (kg)
					Output (kW)	Rating (%ED)	50Hz	60Hz	Diameter (mm)	Chain Falls				
125kg	ER2-001H	B			0.56		14.1	16.9	4.3	x 1		156kg	27	0.42
250kg	ER2-003S						9.1	10.9				313kg		
	ER2-003H	0.9	13.4	16.1	6	x 1	M5/2m/H4	625kg	33	0.81				
500kg	ER2-005L	C							0.56			3.8	4.6	7.7
1	ER2-005S				0.9	3.5	4.2	7.7		x 1			1.25	
	ER2-010L	D	3	2.5	60	7.1	8.5				1.88			54
ER2-010S	1.8					4.5	5.4	10.2		x 1			2.5	72
1.5	ER2-015S	E					3.7		4.4		10.2			x 1
2	ER2-020L						7.0	8.4	M4/1Am/H4	3.13		104	2.8	
	ER2-020S	3.5	5.7	6.8	11.2	x 1	3.75	107			4.7			
2.5	ER2-025S	F					4.4	5.3	10.2	x 2		3.75	107	4.7
3	ER2-030S	E					2.9	3.5	11.2	x 2		6.25	132	5.6
5	ER2-050S	F										6.25	132	5.6

Dimensions (mm)

Capacity (t)	Product Code	Headroom C	D	a	b	d	e	f	g	h	i
125kg	ER2-001H	350	430	478	321	219	259	260	27	99	93
250kg	ER2-003S			510		268					
	ER2-003H	510		268							
500kg	ER2-005L	370	490	513	348	242	271	283	27	113	106
	ER2-005S			510		268					
1	ER2-010L	430	550	589	376	291	298	335	31	129	118
	ER2-010S			598			307				
1.5	ER2-015S	510		646		308	338		34		
2	ER2-020L	575	630	703	427	347	356	384.5	39	160.5	137.5
	ER2-020S	590									
2.5	ER2-025S	625	840	736	445	337	399	437.5		173.5	142.5
3	ER2-030S	785	920	703	427	347	356	397	44	216	82
5	ER2-050S	850		736	445	337	399	439	47	231.5	84.5