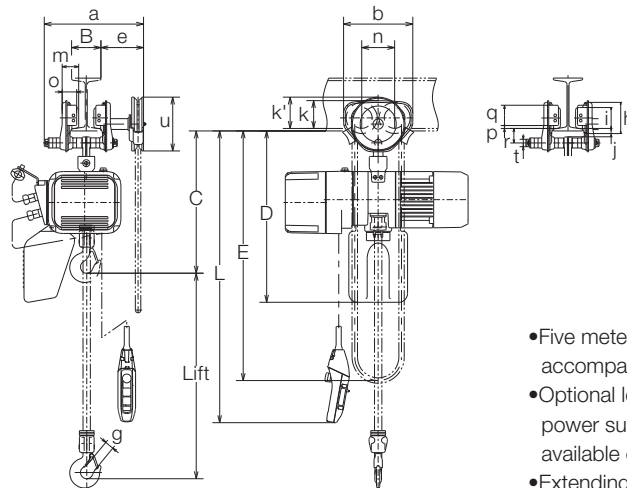


ER2SG Dual Speed inverter

With Geared Trolley



- Five meters of power supply cable as standard accompanies.
- Optional length of lift, push button cord and power supply cable besides standard is available on your request.
- Extending the load chain is prohibited with additional links.
- Steel chain containers are available as option as shown in Section of "Chain Containers" if your lift is more than capacity of the standard container volume.

Specifications

Capacity (t)	Product Code	Hoist Body	Standard Lift (m)	Push Button Cord L (m)	ER2						TSG						Test Load (t)	Net Weight (kg)	Additional Weight per 1m Lift (kg)			
					Lifting Motor		Lifting Speed (m/min)*		Load Chain	Classification ISO/FEM /ASME	Folded Hand Chain Length E (m)	Flange Width B (mm)			Min. Radius Curve (mm)							
					Output (kW)	Rating (%ED)	50/60Hz					Standard	Option									
							High	Low	Diameter (mm)	Chain Falls			W20 (203mm)	W30 (305mm)								
125kg	ER2SG001IH	B			0.56	40/20	Preset	16.6	2.8	4.3 x 1										156kg	40	1.4
250kg	ER2SG003IS						Adjustable	10.8	1.4													
	ER2SG003IH	C			0.9	40/20	Preset	15.7	2.6	6 x 1	M5/2m /H4	58 to 127	128 to 203	204 to 305	1300				625kg	45	1.7	
500kg	ER2SG005IS						Adjustable	8.5	0.8													
	1	ER2SG010IL	D	3	2.5	0.9	40/20	Preset	4.2	0.7	7.7 x 1		2.7								1.25	57
ER2SG010IS		Adjustable						8.2	0.3													
1.5	ER2SG015IS	E			1.8	40/20	Preset	5.3	0.9	10.2 x 1			82 to 153		154 to 305	1500				2.5	90	3.2
2	ER2SG020IS						Adjustable	8.2	0.4													
	2.5	ER2SG025IS	F			3.5	40/20	Preset	6.6	1.1	11.2 x 1	M4/1Am /H4					1700				3.13	128
3	ER2SG030IS	E			Adjustable			5.2	0.9	10.2 x 2												
5	ER2SG050IS	F		2.8			Preset	3.3	0.6		11.2 x 2		3.2	100 to 178		179 to 305	2300				6.25	184
							Adjustable		0.3													

Note: The high speed is preset to the maximum speed in KITO factory. The speeds are adjustable between High and Low.

Dimensions (mm)

Capacity (t)	Product Code	Headroom C	D	a	b	e	g	h	i	j	k	k'	m	n	o	p	q	r	t	u	
125kg	ER2SG001IH	415	490																		
250kg	ER2SG003IS																				
	ER2SG003IH						27														
500kg	ER2SG005IL	435	550	345	236	152		106	71	28	95	107	56	112	50		69	50	25		
	ER2SG005IS																				
1	ER2SG010IL	470	590																		183
	ER2SG010IS																				
1.5	ER2SG015IS	570					34														
2	ER2SG020IL	635	690	385	280	154		127	85	34	112	109	71	131	63		83	62	32		
		ER2SG020IS																			
2.5	ER2SG025IS	680	890																		
3	ER2SG030IS	780	910	398	324	157		148	100	36	134	115	80	152	74		102	68	36		
5	ER2SG050IS	840																			