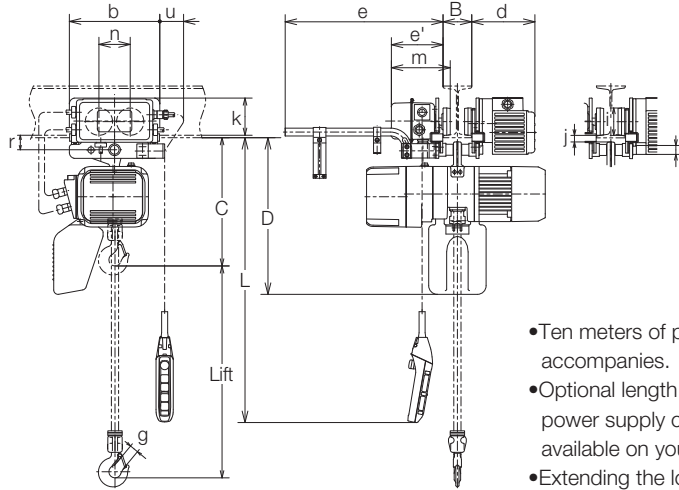


ER2M Dual Lifting inverter - Single Traversing Speed

With Motorized Trolley



- Ten meters of power supply cable as standard accompanies.
- Optional length of lift, push button cord and power supply cable besides standard is available on your request.
- Extending the load chain is prohibited with additional links.
- Steel chain containers are available as option as shown in Section of "Chain Containers" if your lift is more than capacity of the standard container volume.

Specifications

Capacity (t)	Product Code	ER2										MR2				Test Load (t)	Net Weight (kg)	Additional Weight per 1m Lift (kg)				
		Hoist Body	Standard Lift (m)	Push Button Cord L (m)	Lifting Motor		Lifting Speed (m/min)*		Load Chain	Classification ISO/FEM /ASME	Traversing Motor		Traversing Speed (m/min)		Flange Width B (mm)				Min. Radius Curve (mm)			
					Output (kW)	Rating (%ED)	High	Low			Diameter (mm)	Chain Falls	Output (kW)	Rating (%ED)	50Hz					60Hz	Standard	Option W30 (305mm)
125kg	ER2M001IH-S/L	B			0.56	Preset	16.6	2.8	4.3 x 1								156kg	58	0.42			
250kg	ER2M003IS-S/L					Adjustable	10.8	1.4												Preset	15.7	2.6
	ER2M003IH-S/L	Adjustable	10.8	1.8	Adjustable	15.7	0.9	7.7 x 1								1.25	75	1.33				
500kg	ER2M005IL-S/L	C			0.56	Preset	4.5												0.8	6 x 1		
	ER2M005IS-S/L					Adjustable	4.5	0.4	Preset	8.5	1.4	7.7 x 1										
1	ER2M010IL-S/L	D	3	2.5	40/20	Preset	4.2	0.7	7.7 x 1													
	ER2M010IS-S/L					Adjustable	4.2	0.3				Preset	8.2	1.4	10.2 x 1							
1.5	ER2M015IS-S/L	E			1.8	Preset	5.3	0.9	10.2 x 1													1.88
	ER2M020IL-S/L					Adjustable	5.3	0.4							Preset	4.3	0.7	11.2 x 1				
2	ER2M020IS-S/L	Adjustable	4.3	0.4	Preset	8.2	1.4	11.2 x 1									3.13			150	2.8	
	ER2M025IS-S/L	Adjustable	8.2	0.7	Preset	6.6	1.1											10.2 x 2				
2.5	ER2M025IS-S/L	F			3.5	Preset	6.6	0.6	11.2 x 1								1800			6.25	198	
	ER2M030IS-S/L					Adjustable	6.6	0.6										Preset	5.2			0.9
3	ER2M030IS-S/L	E			2.8	Preset	5.2	0.4	11.2 x 2								6.25	198	5.6			
	ER2M050IS-S/L					Adjustable	5.2	0.4												Preset	3.3	0.6
5	ER2M050IS-S/L	F			2.8	Preset	3.3	0.3	11.2 x 2								6.25	198	5.6			
	ER2M050IS-S/L					Adjustable	3.3	0.3														

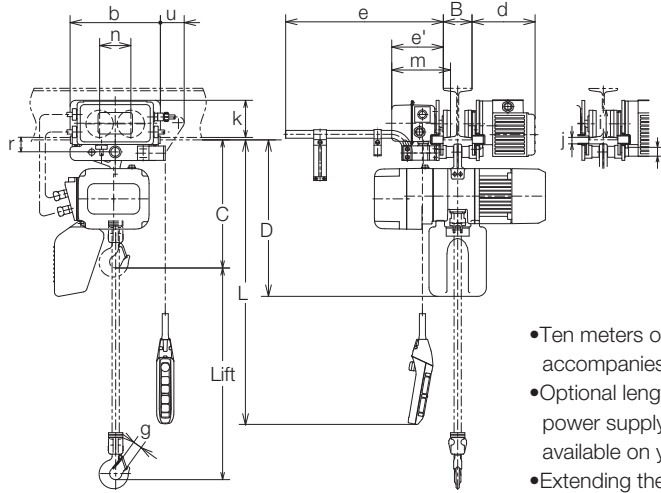
Note: The bracketed figures in Traversing Speed are low speed. The minimum radius curve may depend on flange width. For further information, contact the nearest KITO dealer. The high speed is preset to the maximum speed in KITO factory. The speeds are adjustable between High and Low.

Dimensions (mm)

Capacity (t)	Product Code	Headroom C	D	b	d	e	e'	g	i	j	k	m	n	r	t	u
125kg	ER2M001IH-S/L	375	450													
250kg	ER2M003IS-S/L															
	ER2M003IH-S/L	435	550													
500kg	ER2M005IL-S/L															
	ER2M005IS-S/L	570	630	325	225	520	184		110	27	125	212	118	60	36	76
1	ER2M010IL-S/L															
	ER2M010IS-S/L	620	830	340	226	521	186		125	29	131	215	132	68	43	70
1.5	ER2M015IS-S/L															
	2	ER2M020IL-S/L	840	910	400	281	528	192		140	44	145	233	150	86	54
ER2M020IS-S/L																
2.5	ER2M025IS-S/L															
	3	ER2M030IS-S/L														
5		ER2M050IS-S/L														

ER2M Dual Lifting pole change - Single Traversing Speed 500V

With Motorized Trolley



- Ten meters of power supply cable as standard accompanies.
- Optional length of lift, push button cord and power supply cable besides standard is available on your request.
- Extending the load chain is prohibited with additional links.
- Steel chain containers are available as option as shown in Section of "Chain Containers" if your lift is more than capacity of the standard container volume.

Specifications

Capacity (t)	Product Code	Hoist Body	ER2							MR2					Test Load (t)	Net Weight (kg)	Additional Weight per 1m Lift (kg)		
			Standard Lift (m)	Push Button Cord L (m)	Lifting Motor		Lifting Speed (m/min)	Load Chain	Classification ISO/FEM /ASME	Traversing Motor		Traversing Speed (m/min)	Flange Width B (mm)					Min. Radius Curve (mm)	
					Output (kW)	Rating (%ED)				Output (kW)	Rating (%ED)		Standard	Option W30 (305mm)					
125kg	ER2M001HD-S/L	B				14.2/3.5	4.3 x 1										156kg	62	0.42
250kg	ER2M003SD-S/L					0.5/0.13											7.2/1.8		
500kg	ER2M005LD-S/L	C			3.6/0.9	6 x 1	M5/2m /H4					58 to 153	154 to 305				625kg	70	0.81
					ER2M005SD-S/L												0.9/0.23	7.1/1.8	
1	ER2M010LD-S/L	D	3	2.5	40/20	3.5/0.9	7.7 x 1		0.4	40	20 (10)			800			86	1.33	
	ER2M010SD-S/L					7.2/1.7											88		
1.5	ER2M015SD-S/L	E				4.8/1.2											1.88	112	
2	ER2M020LD-S/L	E				3.7/0.9	10.2 x 1					82 to 178					2.5	114	2.3
						ER2M020SD-S/L											6.9/1.6	135	
2.5	ER2M025SD-S/L	F				5.5/1.3	11.2 x 1	M4/1Am /H4									3.13	156	2.8
3	ER2M030SD-S/L	E				4.4/1.0	10.2 x 2					100 to 178		1000			3.75	161	4.7
5	ER2M050SD-S/L	F		2.8		2.8/0.6	11.2 x 2		0.75					1800			6.25	204	5.6

Note: The bracketed figures in Traversing Speed are low speed. The minimum radius curve may depend on flange width. For further information, contact the nearest KITO dealer.

Dimensions (mm)

Capacity (t)	Product Code	Headroom C	D	b	d	e	e'	g	i	j	k	m	n	r	t	u
125kg	ER2M001HD-S/L	375	450													
250kg	ER2M003SD-S/L															
500kg	ER2M005LD-S/L	395	510	315	268	515	179		95	22	130	205	109	51	31	83
1	ER2M010LD-S/L	435	550													
1.5	ER2M015SD-S/L	505														
2	ER2M020LD-S/L	570	630	325	273	520	184		110	27	125	212	118	60	36	77
		ER2M020SD-S/L														
2.5	ER2M025SD-S/L	620	830	340	274	521	186		125	29	131	215	132	68	43	70
3	ER2M030SD-S/L	765	900													
5	ER2M050SD-S/L	840	910	400	281	528	192	47	140	44	145	233	150	86	54	56